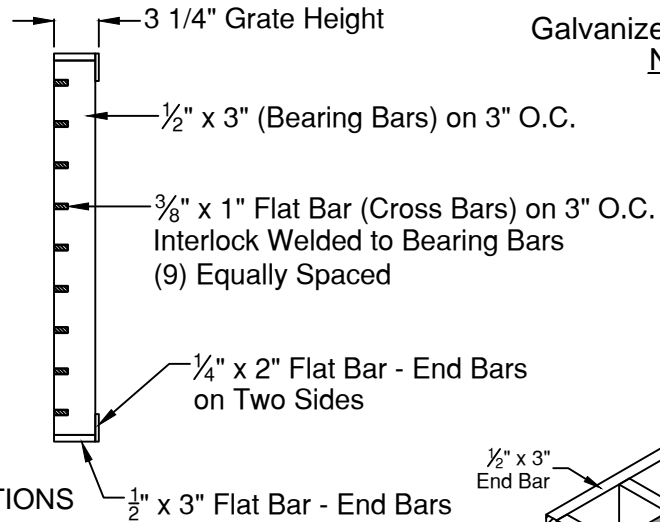
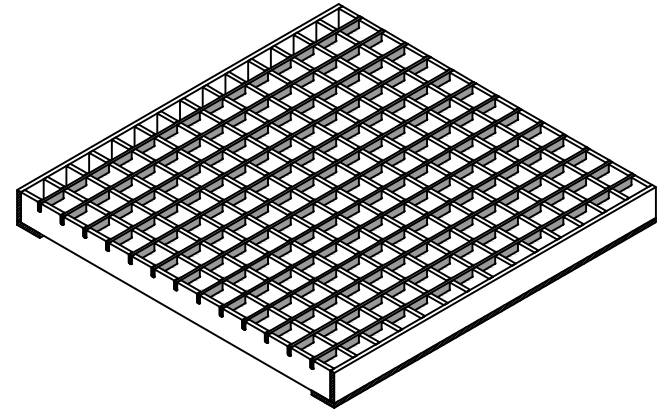


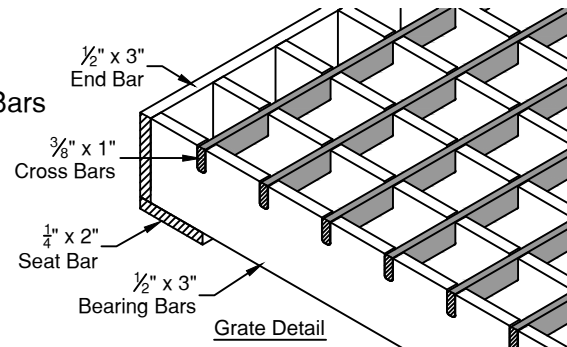
Grate Plan View



Grate Side Elevation



Galvanized Steel Grate
NTS



Grate Detail

- Note:
1. ASTM A-36 Steel Construction
 2. Hot Dip Galvanized (ASTM A 123/ A)
 3. H-20 Load

(Galvanized Frame and Grate
Standard 2 x 3 Grate (28.25" x 40.25" Grate O.D.)
w/Frame (24 1/4" x 36 1/4" clear)
K&B Steel

E-Mail: kbsteel@valornet.com
525 Industrial Blvd. Clarksville, Texas 75426
Phone: (903) 427-3980 FAX: (903) 427-5817

